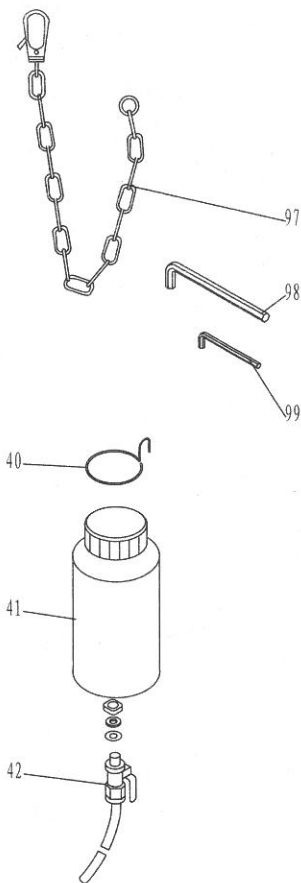


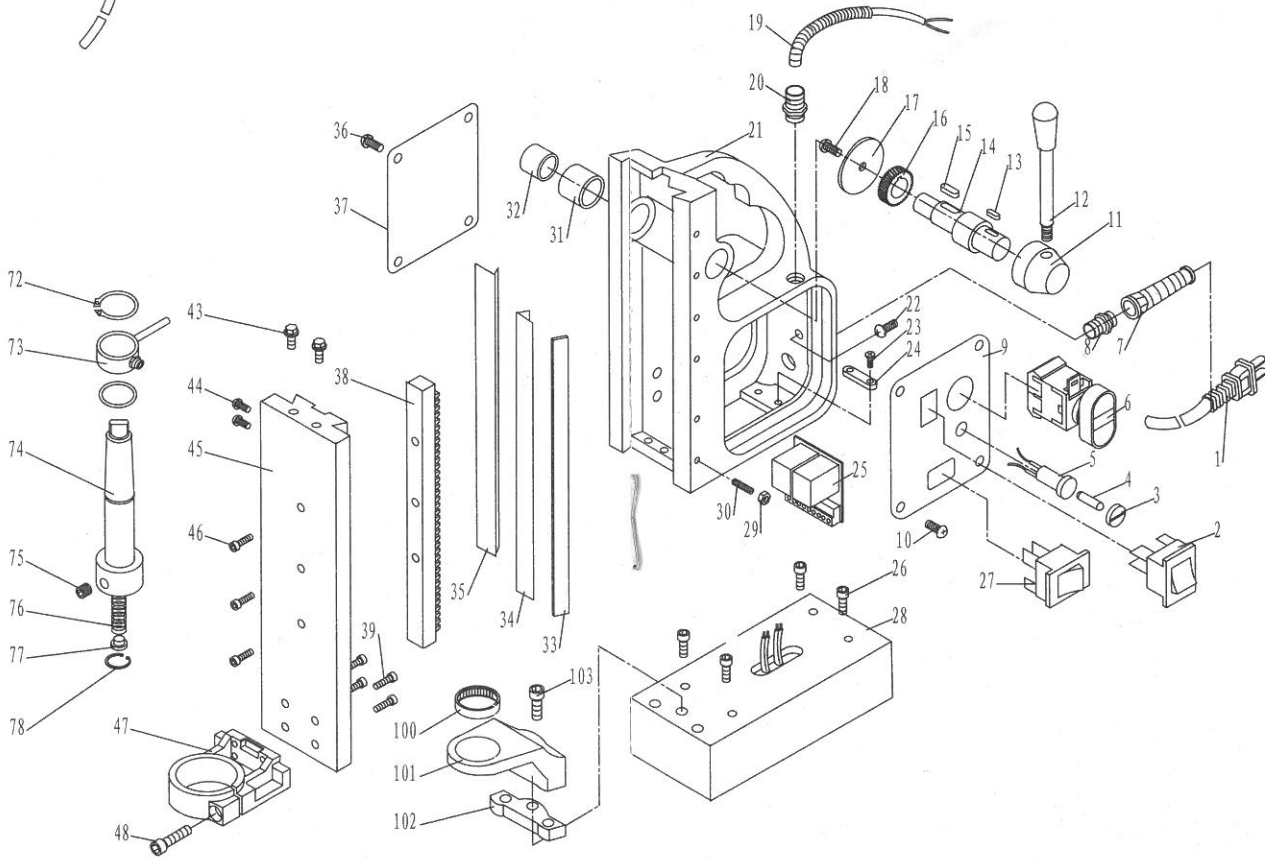
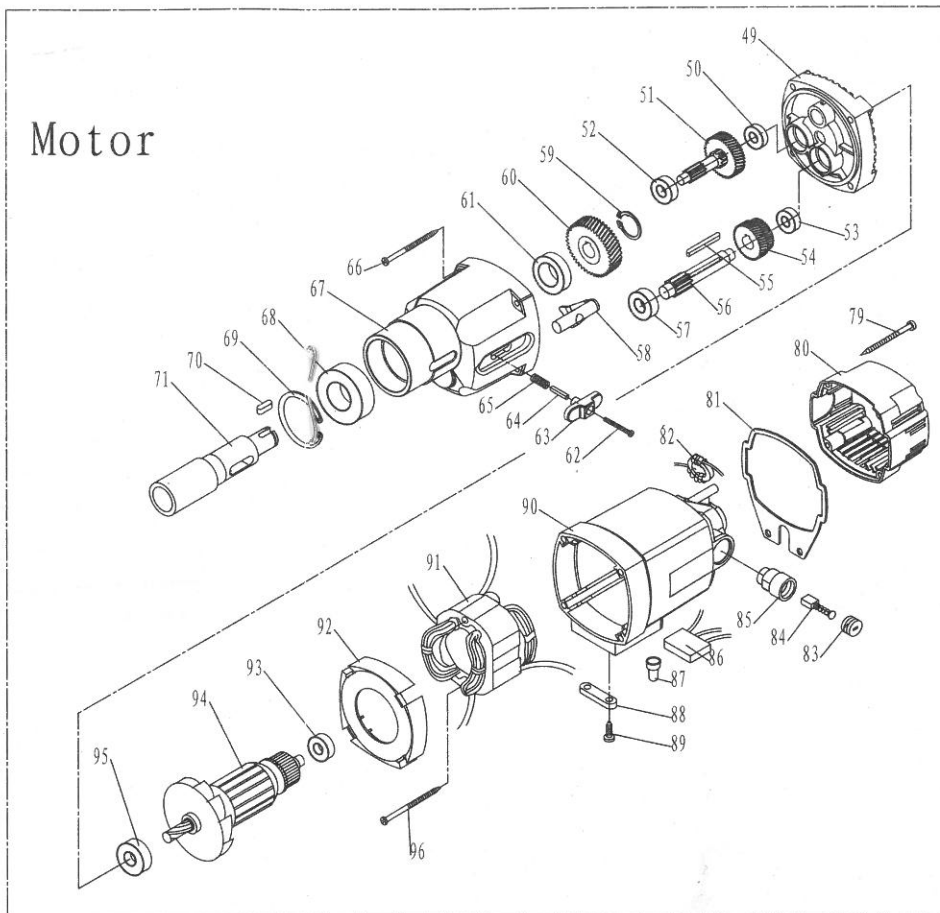
Hajo Magnetboremaskine 75/50-2 Reversibel Splittegning mm.



HAJO TOOL
PROFESSIONELT SPECIALVÆRKTØJ
www.hajo.dk



Motor



TYP-75

TYP-75 Parts list

1.	Flexible cable		27.	Magnetic switch		53.	Bearing 6000		79.	M5×35 screw	
2.	Switch		28.	Magnetic base		54.	Gear		80.	Motor holder cap	
3.	Fuse cap		29.	M5 screw nut		55.	5×5×35 key		81.	Drill holder plate	
4.	Fuse		30.	M5×16 screw		56.	Gear		82.	Electro induction	
5.	Fuse holder		31.	Bearing		57.	Bearing 6001		83.	Brush cap	
6.	Motor starter		32.	Bearing		58.	Speeder staff		84.	Brush	
7.	Cable protector		33.	Internal slide		59.	Catch sping		85.	Brush holder	
8.	Cable holder		34.	Slide		60.	Gear		86.	Capacity	
9.	Plate		35.	Slide		61.	Bearing 6004		87.	Connect cap	
10.	M4×8 screw		36.	M5×8 screw		62.	M4×20 screw		88.	Caple fixer	
11.	Handle holder		37.	Plate		63.	Speeder slide		89.	M4×12 screw	
12.	Handle		38.	Rack		64.	Tube		90.	Motor holder	
13.	4×10 key		39.	M6×20 screw		65.	Spring		91.	Field core	
14.	Axle		40.	Hook		66.	M6×65 screw		92.	Wind catcher	
15.	5×15 key		41.	Tank		67.	Gear box		93.	Bearing 6200	
16.	Gear		42.	Valve		68.	Bearing 6006		94.	Motor	
17.	Stop plate		43.	M6×10 screw		69.	Catch sping		95.	Bearing 6201	
18.	M6×10 screw		44.	M5×12 screw		70.	6×6×14key		96.	M5×80 screw	
19.	Cable protector		45.	Out slide		71.	Spindle		97.	Safety strain	
20.	Cable holder		46.	M6×12 screw		72.	Catch sping		98.	6mm hex wrench	
21.	Machine holder		47.	Drill holder		73.	Oil holder		99.	4mm hex wrench	
22.	M5×8 screw		48.	M8×30 screw		74.	Spindle		100.	Bearing	
23.	Caple fixer		49.	Gear box cap		75.	M10×12 screw		101.	Spindle holder	
24.	M4×10 screw		50.	Bearing 6000		76.	Spring		102.	Support	
25.	Controller		51.	Gear		77.	Spring stop		103.	M10×40 screw	
26.	M6×16 screw		52.	Bearing 6000		78.	Catch sping		104.		